



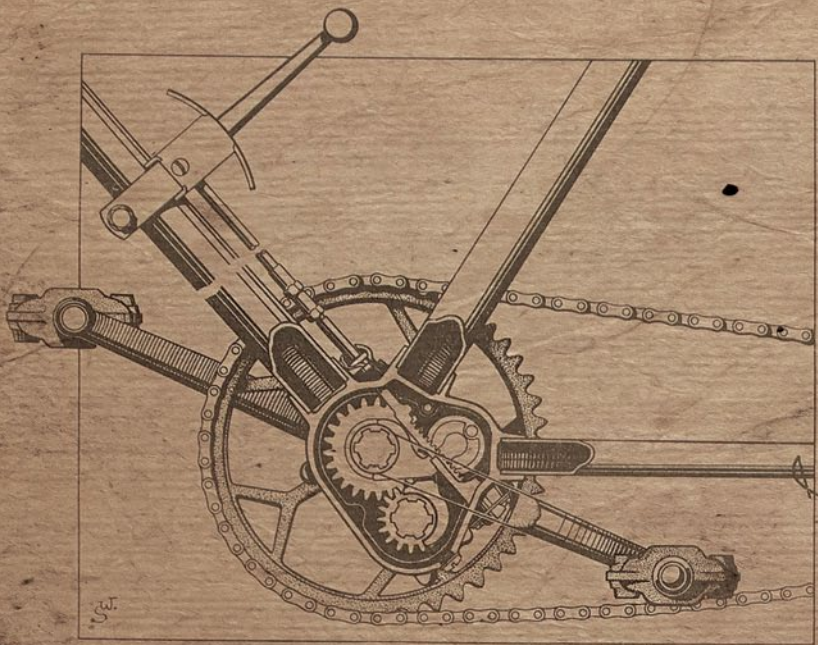
**2016**

ADLER Werk



**27.5**

**29**



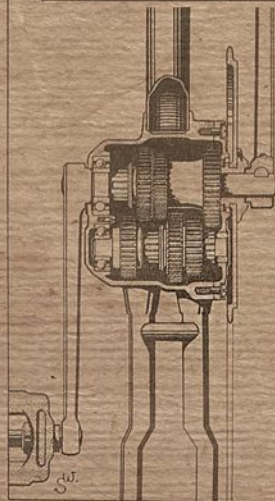
Die Schaltung ist als feste Gestängeschaltung am unteren Rahmenrohr ausgebildet und wird mit einem während der Fahrt **bequem zu handhabenden Schalthebel** bedient. Sie ist angelehnt an bewährte Motorradschaltungen, der Hebel bewegt sich in einer Kulissee, welche bei jedem Gangwechsel einen Anschlag antrifft. Diese **Anschläge machen ein Verschalten unmöglich.**

**Das Adler 3 Gang Rad bedeutet die letzte technische Vervollkommnung.**



## ADLER 3 GANG

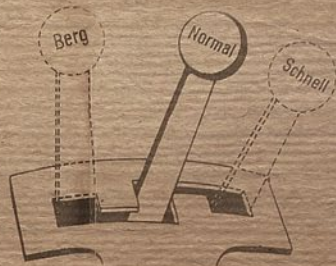
mit Wechselgetriebe im Tretlager D. R. P. a. Berg-Normal-Schnellgang mit Kulissenschaltung



Adler 57 Herren-Sportrad mit Leichtmetallfelgen und Ausfallenden  
54 oder 58 cm Rahmenhöhe



mit Komet-Freilauf . . . RM 130—  
mit Torpedo-Freilauf . RM 134—





# ADLER



# 3 GANG

D. R. P. a.

steigt leicht  
spart Kraft  
fährt schnell

1. GANG

2. GANG

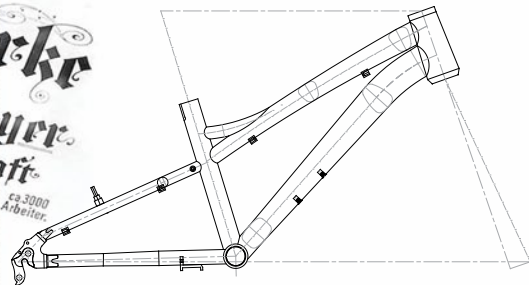
3. GANG



Reinick<sup>SM</sup>

ADLERWERKE VORM. HEINRICH KLEYER AKTIENGESELLSCHAFT FRANKFURT A. M.

**Adlerwerke**  
vorm.  
**Heinrich Kleyer**  
Aktiengesellschaft  
Frankfurt a.M. ca. 3000  
Arbeiter.



MODEL ADLER Evo 1

20"

FRAME ALLOY 6061

FORK SR Suntour XCT-JR / travel 40mm

HEAD PARTS NECO H148MP

GRIPS Herrmans GRIND 104A Kraton

REAR DERAILLEUR SHIMANO RD-M360-S ACERA

RIMS AERON 20" Alloy Double-wall 36H

TIRES KENDA "K-rad" 20x2.30 K-905

SADDLE Monte Grappa XC Solare

### Technical Features



**EHT** Capora head tube



**DLS** dynamic tube shaping



**UAF** ultralite alloy frame

Doppel-Uebersetzung  
Freilaut und Rücktritt-Nabenhremse.



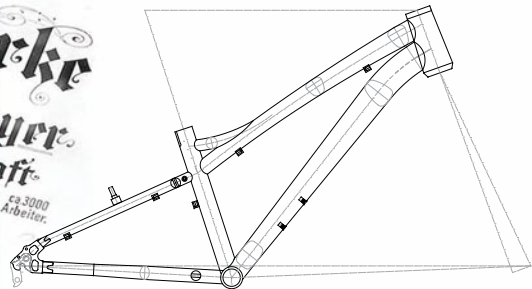


# ADLER

1881



**Adlerwerke**  
vorm.  
**Heinrich Kleyer**  
Aktiengesellschaft  
Frankfurt a.M. ca. 3000  
Arbeiter.



MODEL ADLER Evo 2

24"

FRAME ALLOY 6061

FORK SR Suntour XCT-JR / travel 60mm

HEAD PARTS NECO H148MP

GRIPS Herrmans GRIND 104A Kraton

REAR DERAILLEUR SHIMANO RD-M360-S ACERA

RIMS AERON 24" Alloy Double-wall 36H

TIRES KENDA "K-rad" 24x2.30 K-905

SADDLE Monte Grappa XC Solare

### Technical Features



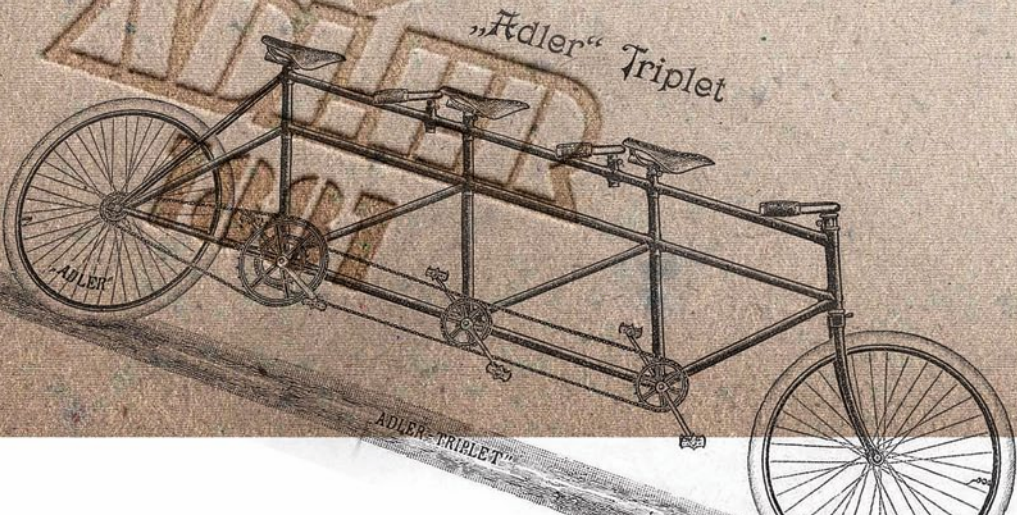
Capena head tube



dynamic tube shaping



ultralite alloy frame





# ADLER 1881

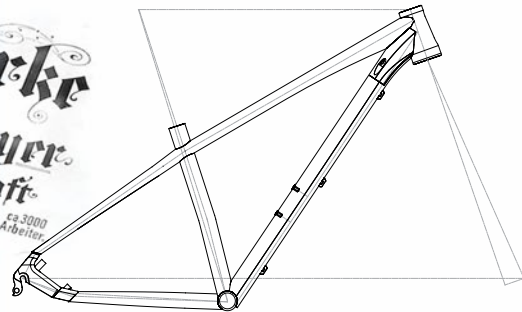








**Adlerwerke**  
vorm.  
**Heinrich Kleyer**  
Aktiengesellschaft  
Frankfurt a.M. ca. 3000  
Arbeiter



MODEL ADLER Evo 3

XS / S / M / L / XL

27,5"

FRAME Alloy HYDROFORMED D.B.

FORK Rockshox XC 30 TK 27,5 / 100mm, R-Lock

HEAD PARTS Neco H159E

GRIPS Herrmans DIAMOND DD25 Kraton

REAR DERAILLEUR Shimano SLX 10 sp. Shadow

RIMS Mach1 Neuro 27,5

TIRES Schwalbe RAPID ROB Kevlar Guard 27,5

SADDLE Selle ITALIA SLR XC

### Technical Features



**irs** inner cable routing



**rlo** remote lockout



**eht** exposed head tube



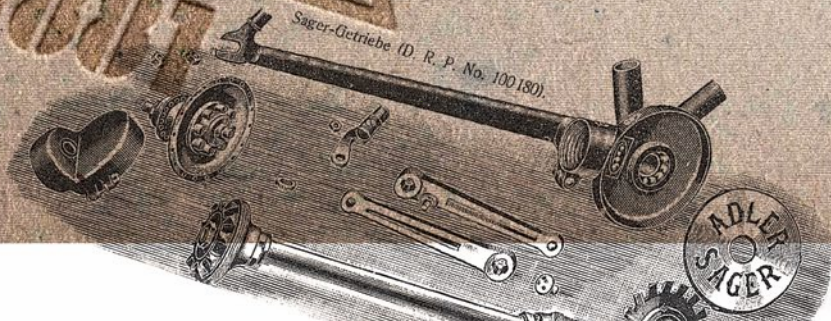
**dls** dynamic tube shaping



**ipm** inner post mount



**ubf** ultralite alloy frame



ADLER  
1881



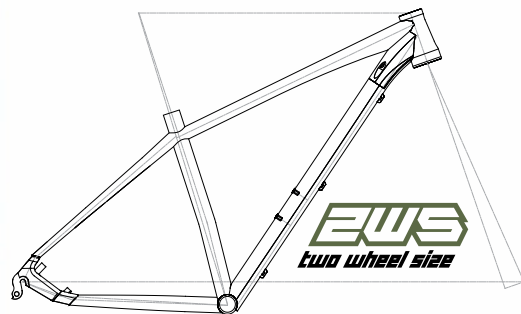
# ANDLER 1881



The 2WS (Two Wheel Size) concept combines in a new standard two contemporary mountain bike wheel sizes - 27,5" and 29". This innovation solves the problem of the inherent shortcomings of these two wheel sizes, achieving a new and significantly better functionality, through harmonious alignment of many parameters which simultaneously provide good climbing and excellent downhill capabilities.

Not to be overlooked is the fact that the new standard does not lead to increase in production costs thus its price is not different from analogically fitted 27,5" or 29" bikes.

The bicycles which are designed by the new 2WS standard allow for significantly more dynamic, aggressive and confident ride on variable and tough terrains, which makes them extremely suitable for competitors and adventure seekers alike.



MODEL ADLER Evo 4 (2WS)

S / M / L / XL

FRAME Alloy HYDROFORMED D.B.

27,5" & 29"

FORK Rockshox XC 30 TK 29 / 100mm, R-Lock

HEAD PARTS Neco H159E

GRIPS Herrmans DIAMOND DD25 Kraton

REAR DERAILLEUR Shimano SLX 10 sp. Shadow

RIMS Mach1 Neuro 27,5 & 29

TIRES Schwalbe RAPID ROB Kevlar Guard 27,5 & 29

SADDLE Selle ITALIA SLR XC

Technical Features

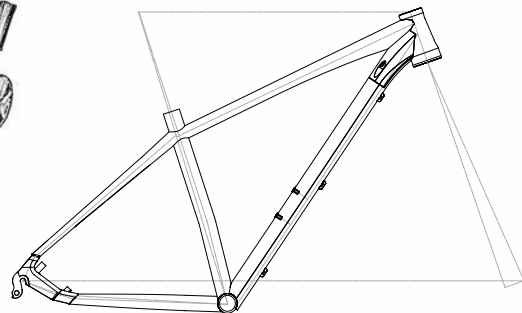
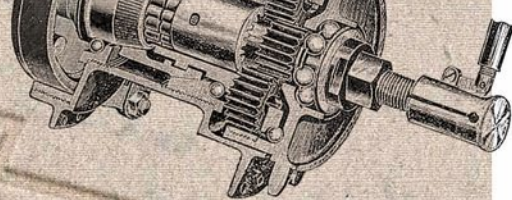




ANDLER  
1881

**2WS**  
*two wheel size*





## „Adler“ Kettenlos für Herren

Sager D. R. P. No. 100180.



MODEL ADLER Evo 4

S / M / L / XL

29"

FRAME Alloy HYDROFORMED D.B.

FORK Rockshox XC 30 TK 29 / 100mm, R-Lock

HEAD PARTS Neco H159E

GRIPS Herrmans DIAMOND DD25 Kraton

REAR DERAILLEUR Shimano SLX 10 sp. Shadow

RIMS Mach1 Neuro 29

TIRES Schwalbe RAPID ROB Kevlar Guard 29

SADDLE Selle ITALIA SLR XC

### Technical Features



**irs** inner cable routing



**rlo** remote lockout



**eht** exposed head tube



**dts** dynamic tube shaping



**ipm** inner post mount



**ubf** ultraLite alloy frame



# ANDLER 1881



A close-up photograph of a motorcycle's frame, showing the main tube with the brand name 'ADLER' painted in white. The frame is dark, possibly black or dark blue. Below the main tube, a chain drive is visible, including a large sprocket and a smaller one. The background is dark and out of focus, suggesting an outdoor setting. The lighting is dramatic, highlighting the metallic surfaces and the white text.

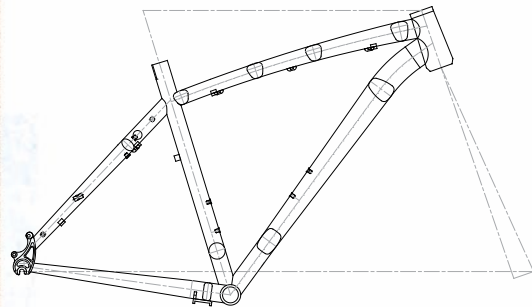
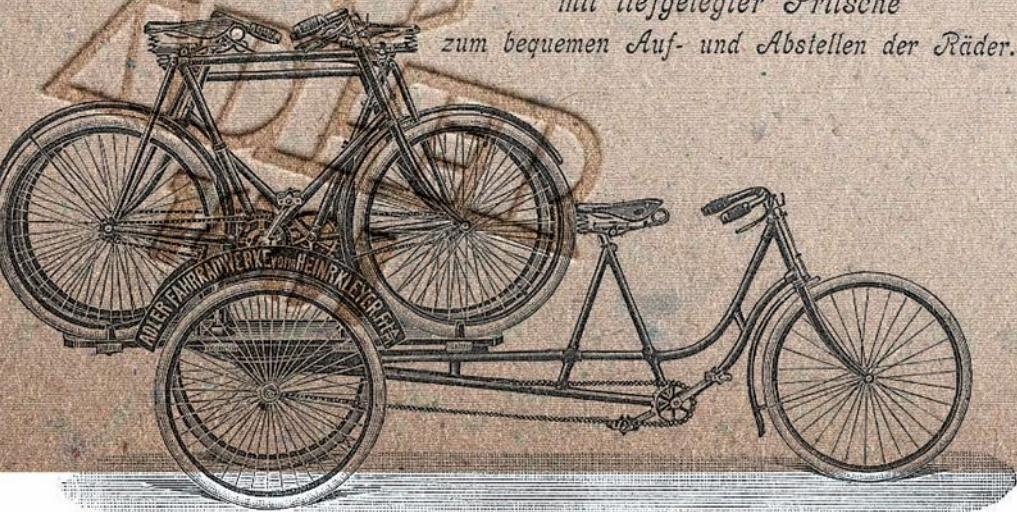
ADLER





# „Adler“ Fahrrad-Transport-Dreirad No. 3

mit tiefgelegter Pritsche  
zum bequemen Auf- und Abstellen der Räder.



MODEL ADLER Evo 5

L / XL

700 c

FRAME Alloy 7005

FORK RST SS-A7-T

HEAD PARTS Neco H148M

GRIPS Herrmans DD-33 Mini Bar 130 mm Red ring

REAR DERAILLEUR Shimano DEORE 9 speed

RIMS Remerx STING 622 BA+SEE 32

TIRES Schwalbe LUGANO Red

SADDLE Monte Grappa GOTICA

## Technical Features



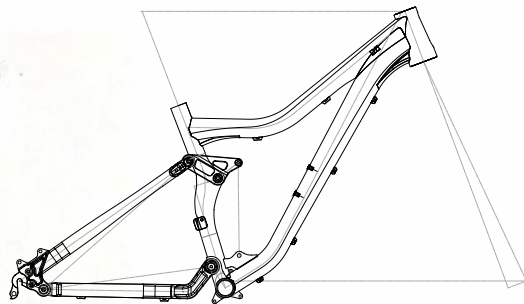


# ADLER 1881



# „Adler“ Klapprad

D. R. S. M.



MODEL ADLER Evo 6

S / M / L

27,5"

FRAME Alloy HYDROFORMED D.B.

FORK Rockshox MONARCH RL / 140mm, R-Lock

HEAD PARTS FSA, Orbit 1.5BP ZS / NO.57BP

GRIPS Herrmans DIAMOND Lock DD28

REAR DERAILLEUR Shimano DEORE XT 10 sp. Shadow

RIMS DT Swiss M480 27,5

TIRES Schwalbe NOBBY NIC EVO 27,5

SADDLE Fizik ARDEA

## Technical Features



**irs** inner cable routing



**rlo** remote lockout



**eht** expert head tube



**dts** dynamic tube shaping



**ipm** inner post mount



**uaf** ultralite alloy frame



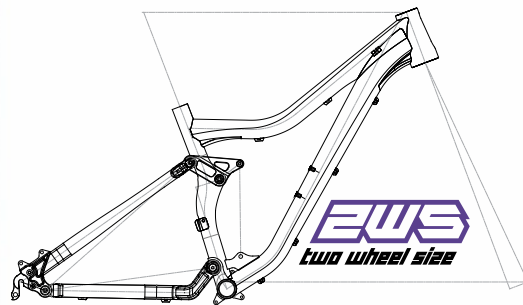
ADLER  
1881



The 2WS (Two Wheel Size) concept combines in a new standard two contemporary mountain bike wheel sizes - 27,5" and 29". This innovation solves the problem of the inherent shortcomings of these two wheel sizes, achieving a new and significantly better functionality, through harmonious alignment of many parameters which simultaneously provide good climbing and excellent downhill capabilities.

Not to be overlooked is the fact that the new standard does not lead to increase in production costs thus its price is not different from analogically fitted 27,5" or 29" bikes.

The bicycles which are designed by the new 2WS standard allow for significantly more dynamic, aggressive and confident ride on variable and tough terrains, which makes them extremely suitable for competitors and adventure seekers alike.



MODEL ADLER Evo 6 (2WS)

S / M / L

FRAME Alloy HYDROFORMED D.B.

27,5" & 29"

FORK Rockshox MONARCH RL / 140mm, R-Lock

HEAD PARTS FSA, Orbit 1.5BP ZS / NO.57BP

GRIPS Herrmans DIAMOND Lock DD28

REAR DERAILLEUR Shimano DEORE XT 10 sp. Shadow

RIMS DT Swiss M480 27,5 & 29

TIRES Schwalbe NOBBY NIC EVO 27,5 & 29

SADDLE Fizik ARDEA

#### Technical Features



**irs** inner cable routing



**rlo** remote lockout



**eht** exposed head tube



**dls** dynamic tube shaping



**ipm** inner post mount



**ubf** ultraLite alloy frame



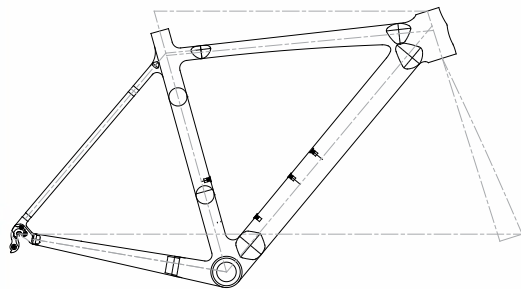
ADLER  
1881



2WS  
two wheel size

# „Adler“ Bahn-Renner No. 65

→ Leichteste, schnellste und modernste Maschine →  
für die Rennbahn.



MODEL ADLER Evo 7

XS / S / M / L / XL

700 c

FRAME UD Carbon MONOCOQUE

FORK UD Carbon ROAD, Carbon STEM

HEAD PARTS FSA, ORBIT C-40 ACB (No.42/ACB)

HANDLEBAR FSA, Vero COMPACT Alloy, W:400mm

REAR DERAILLEUR Shimano TIAGRA 4601

RIMS Shimano R501-30

TIRES Schwalbe LUGANO PP 700x23C, White

SADDLE Fizik ARDEA

## Technical Features



irs inner cable routing



dls dynamic tube shaping

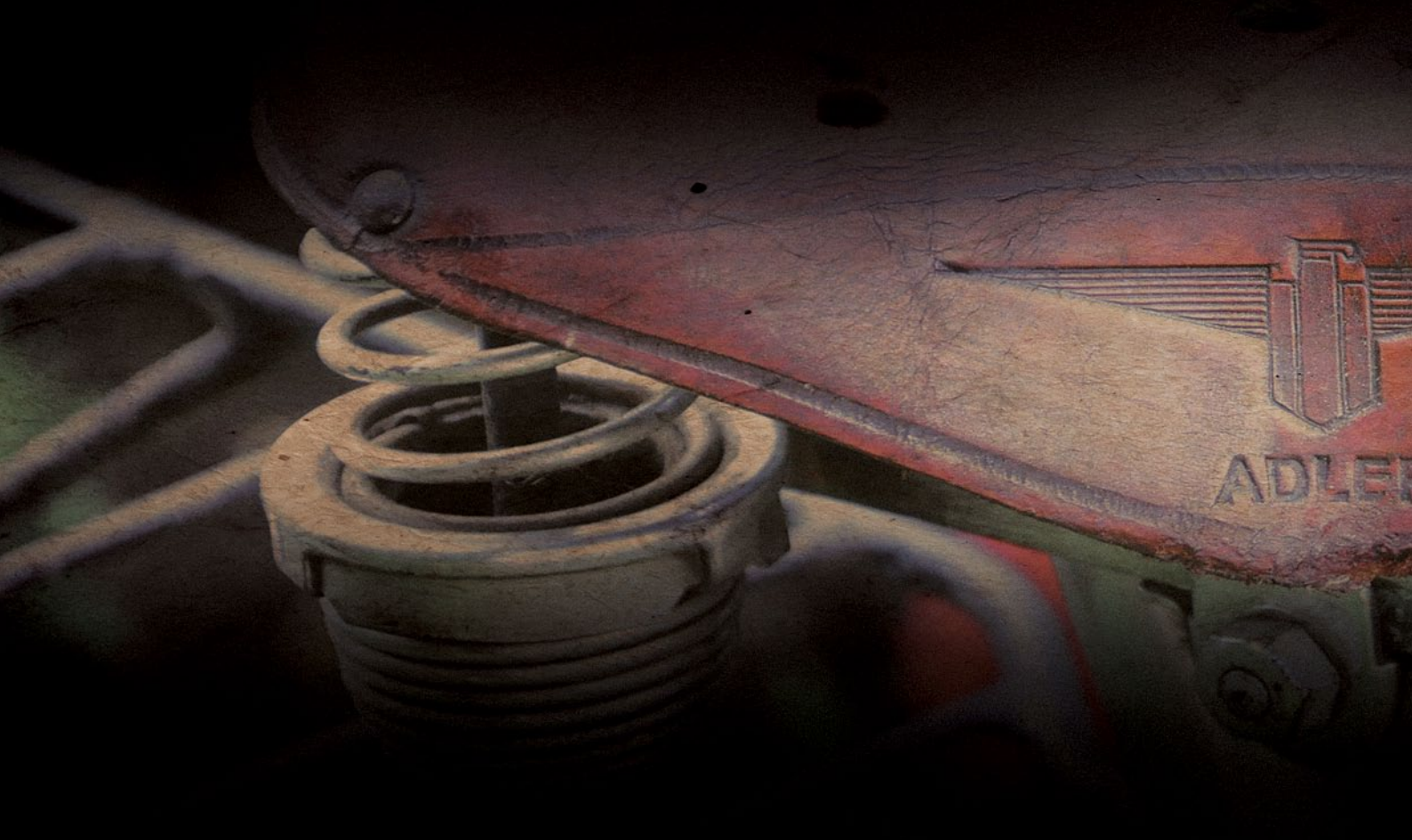


carbon frame



# ADLER 1881





ADLER



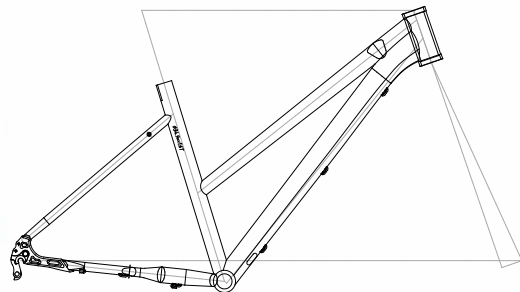


# „Adler“ Damenrad No. 40

— Hochfeine, extra-leichte und moderne Damen-Maschine. —



ADLER 40



MODEL ADLER Evo 8 (Lady)

XS / S / M

28"

FRAME Alloy HYDROFORMED

FORK Suntour NEX 700C Mechanical Lock

HEAD PARTS Neco 142

GRIPS Herrmans DIAMOND DD25 Kraton

REAR DERAILLEUR Shimano DEORE M591

RIMS Adler DURO 28

TIRES Schwalbe MONDIAL 700 x 38C

SADDLE Selle Royal LANCIA

## Technical Features



**irs** inner cable routing



**loc** lockout



**eht** expert head tube



**dts** dynamic tube shaping



**ipm** inner post mount



**ubf** ultralite alloy frame

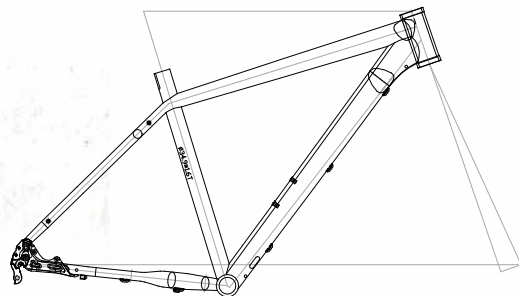
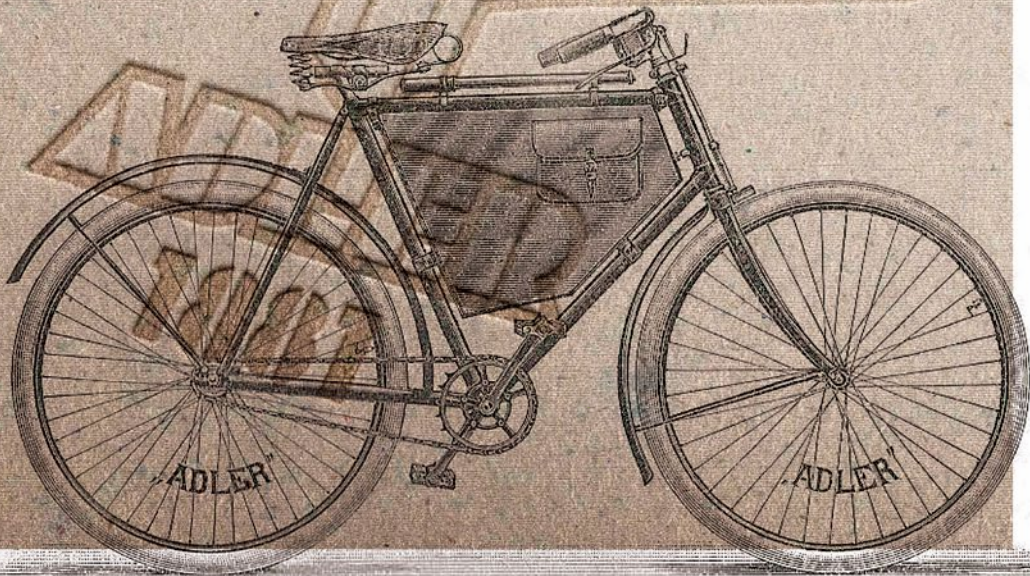


ANDLER  
1881



# „Adler“ Militärrad

— Verbessertes deutsches Armee-Rad. —



MODEL ADLER Evo 8 (Man)

S / M / L / XL

28"

FRAME Alloy HYDROFORMED

FORK Suntour NEX 700C Mechanical Lock

HEAD PARTS Neco 142

GRIPS Herrmans DIAMOND DD25 Kraton

REAR DERAILLEUR Shimano DEORE M591

RIMS Adler DURO 28

TIRES Schwalbe MONDIAL 700 x 38C

SADDLE Selle Royal LANCIA

## Technical Features



**irs** inner cable routing



**loc** lockout



**eht** expert head tube



**dts** dynamic tube shaping



**ipm** inner post mount



**uaf** ultralite alloy frame



# ANDLER 1881





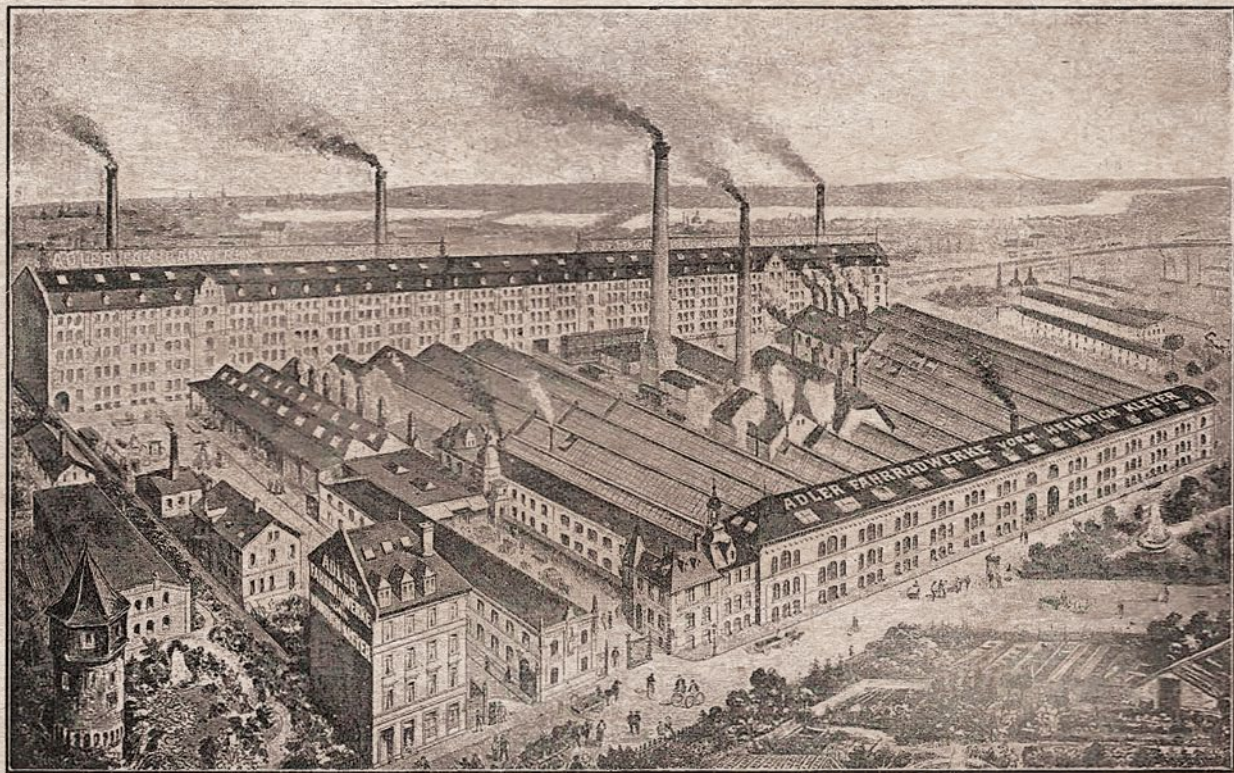
In 2016 the oldest German bicycles brand will have its 135<sup>th</sup> Anniversary.

For this occasion a team of engineers, designers, and fans of the brand decided to revive the production and traditions of the legendary ADLER Fahrrad, which has been renowned around the world with its numerous innovations, original technical solutions and aesthetics.

---







Adler Fahrradwerke vorm. Heinrich Kleyer, Frankfurt a. M.

Notes

A blank sheet of white paper with horizontal ruling lines. The lines are evenly spaced and extend across the width of the page. The word 'Notes' is written in a large, black, sans-serif font at the top left. The rest of the page is empty, with no other text or markings.



ADLER  
FAHRÄDER



office @ adlerbikes.de

*www.adlerbikes.de*

sales @ adlerbikes.de

